



## Parabolic antenna JRMB - 1200 -17

Antenna JRMB – 1200 – 17 is designed for microwave links at the frequency band 17 GHz. Precise performance with deep reflector dish is complying with standard ETSI EN 302-217-4-2 class 2. High cross-port isolation allows use system with polarizing separation.

### Electrical parameters:

<b>Frequency range</b>	17.1 – 17.3 GHz
<b>Gain</b>	44.6 ± 0.6 dBi
<b>Front to back ratio</b>	≥ 65 dB
<b>Beamwidth<sub>-3 dB</sub></b>	0.9°
<b>Cross-port isolation</b>	≥ 45 dB
<b>Polarization</b>	Vertical / Horizontal
<b>Return loss (VSWR)</b>	≥ 15.5 dB ( ≤ 1.4)
<b>ETSI standard</b>	EN 302-217-4-2 v1.5.1 Class 2

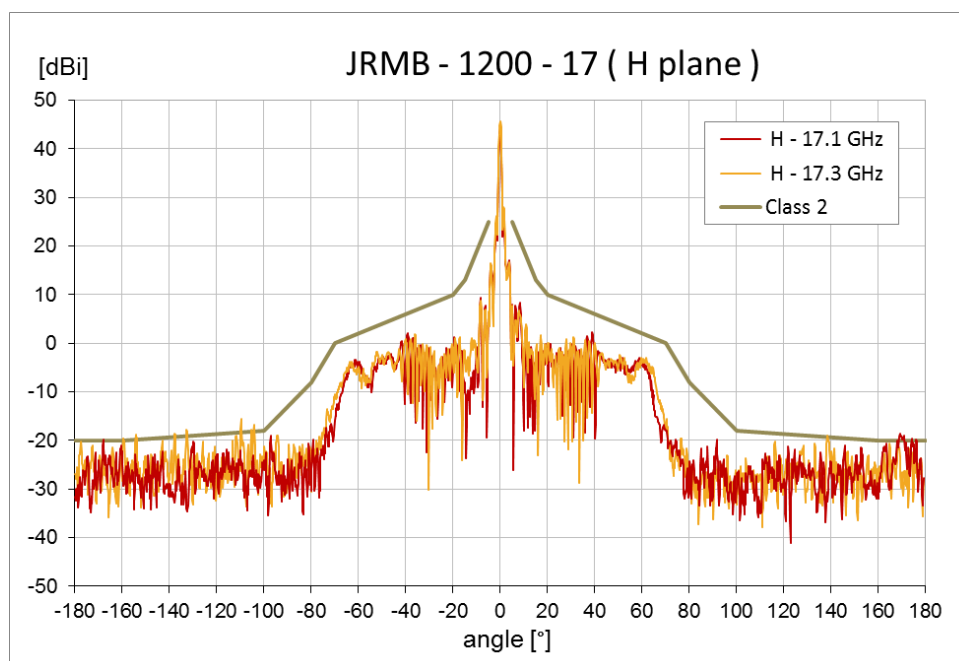
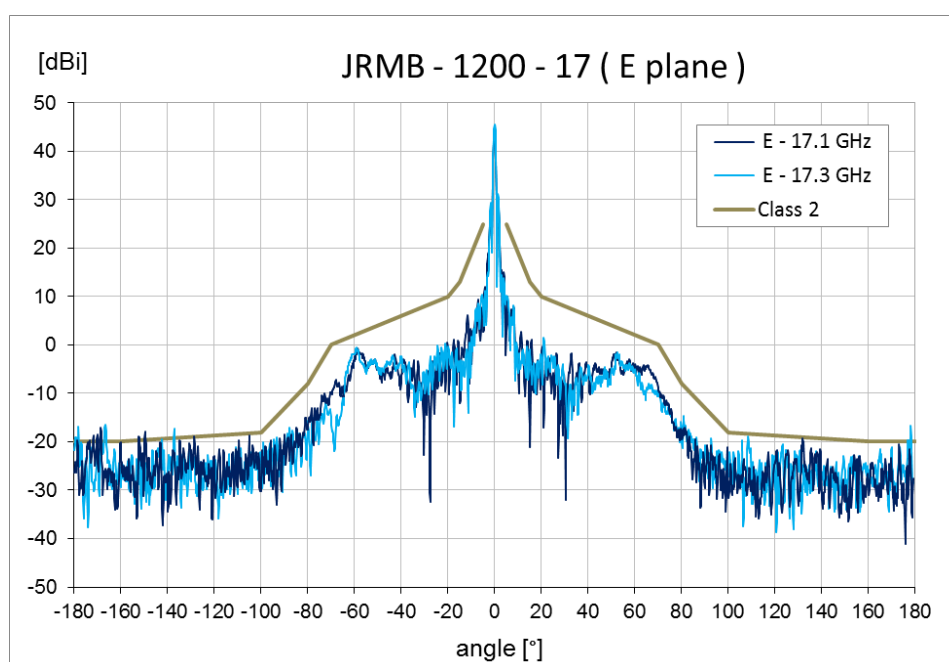
### Mechanical parameters:

<b>Parabola</b>	Ø 1200 mm , aluminium alloy
<b>Depth of parabola</b>	440 mm
<b>Cover</b>	UV steady composite material
<b>Input / output</b>	Circle waveguide Ø 11 mm
<b>Installation for mast</b>	Ø 80 - 120 mm Ø 60 - 80 mm – with adjustable wind bracing set
<b>Operating wind load</b>	
- without wind bracing	110 km/h (68 mph)
- with wind bracing	140 km/h (87 mph)
<b>Survival wind load</b>	210 km/h (130 mph)
<b>Weight of antenna</b>	16.3 kg (35.94 lbs.)
<b>of antenna bracket</b>	14.9 kg (32.85 lbs.)
<b>Shipping dimensions – 1 pcs</b>	1300 mm x 800 mm x 1430 mm
<b>Shipping dimensions – 2 pcs</b>	1300 mm x 1100 mm x 1430 mm

## Parabolic antenna JRMB - 1200 - 17

The antenna is supplied together with a massive bracket that allows easy mounting on a mast. Bracket can be installed separately on the mast. Subsequently, can be simply hang up the antenna with microwave unit into it. Antenna bracket allows fine setting elevation  $\pm 15^\circ$  and azimuth  $\pm 7^\circ$ . It is possible mounting to right and left side. We recommend wind bracing set (optional accessories,) for mounting to the adverse weather conditions. **It is necessary to use an adjustable wind bracing kit** (optional accessories, Fig. 4) for mounting on the mast with **diameter 60 to 80 mm**.

### Measurements of radiation pattern:



## Parabolic antenna JRMB - 1200 -17

### Outline:

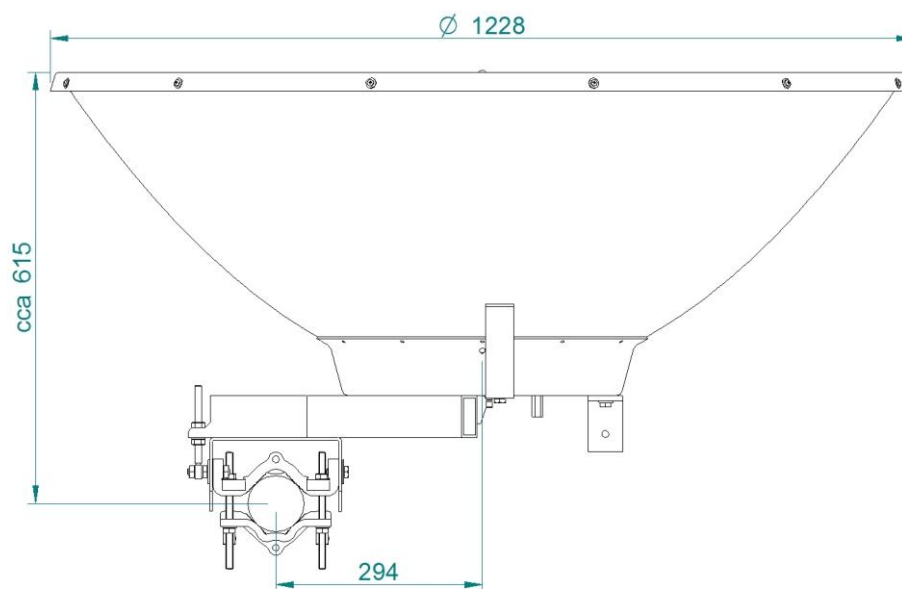


Fig. 1 Antenna dimensions

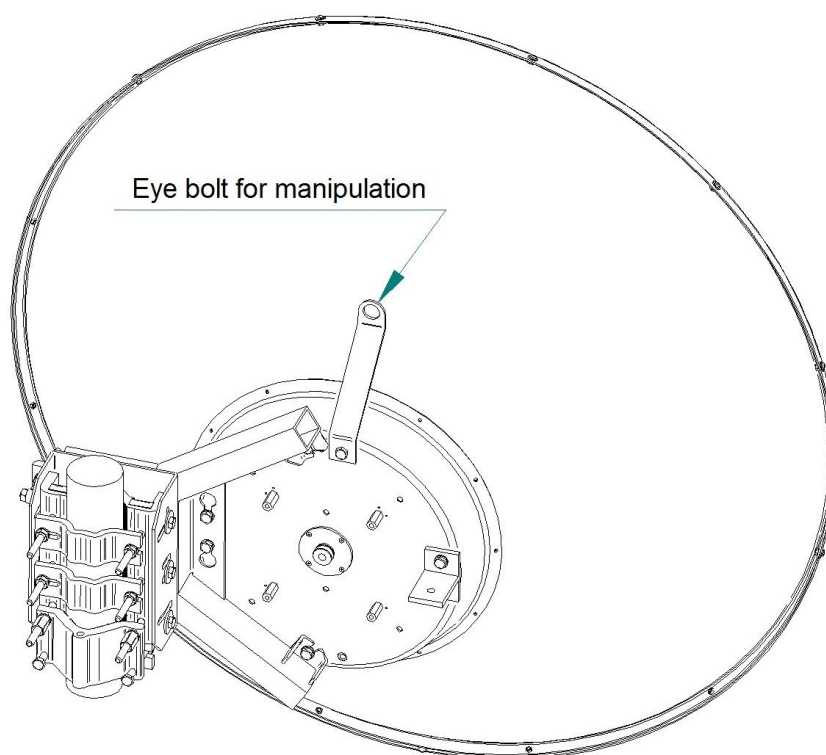


Fig. 2 Antenna with massive bracket (left side)

## Parabolic antenna JRMB - 1200 -17

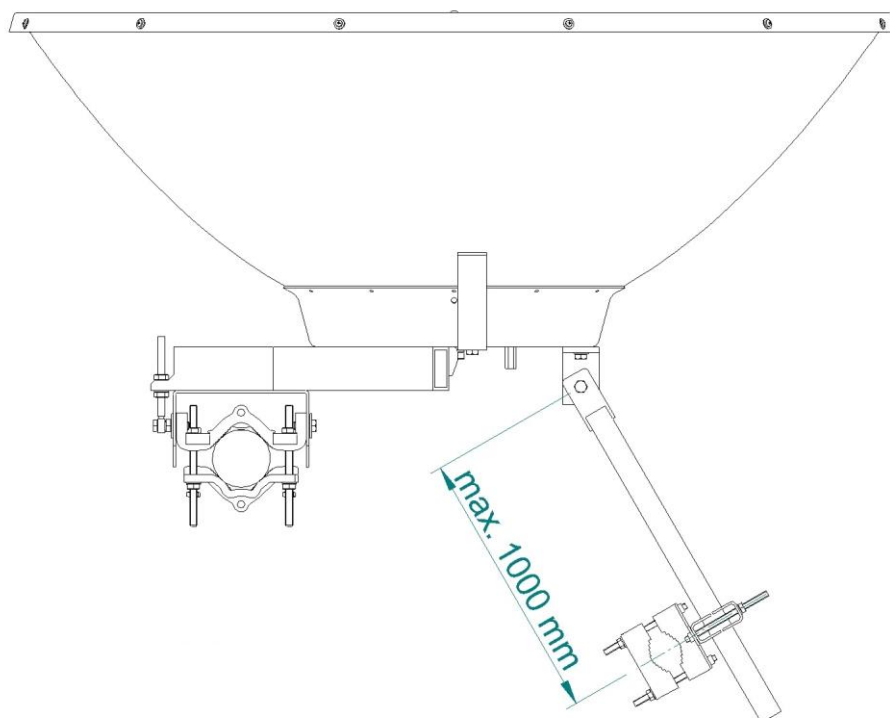


Fig. 3 Antenna with wind bracing kit (top view)

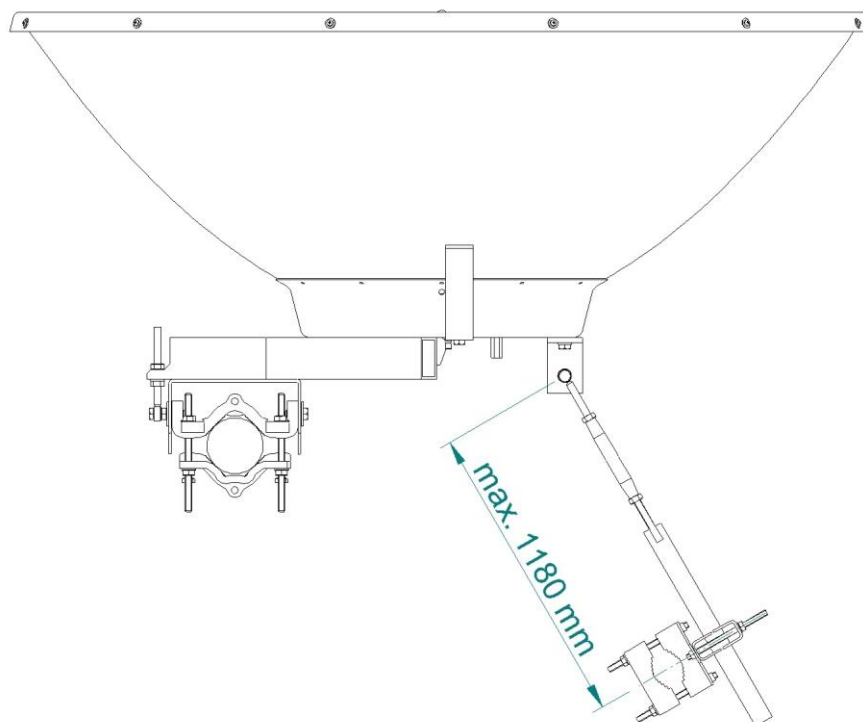


Fig. 4 Antenna with adjustable wind bracing kit (top view)